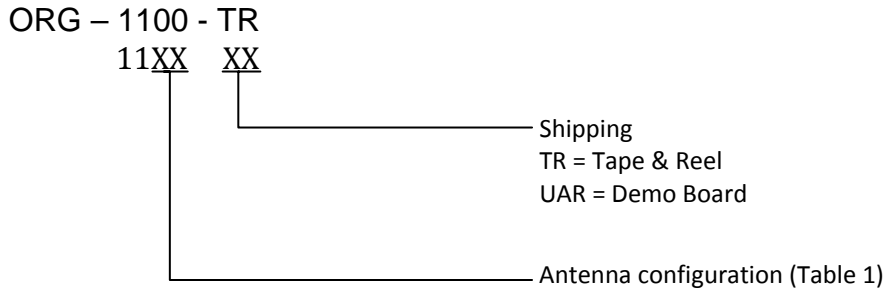


Product Ordering Information



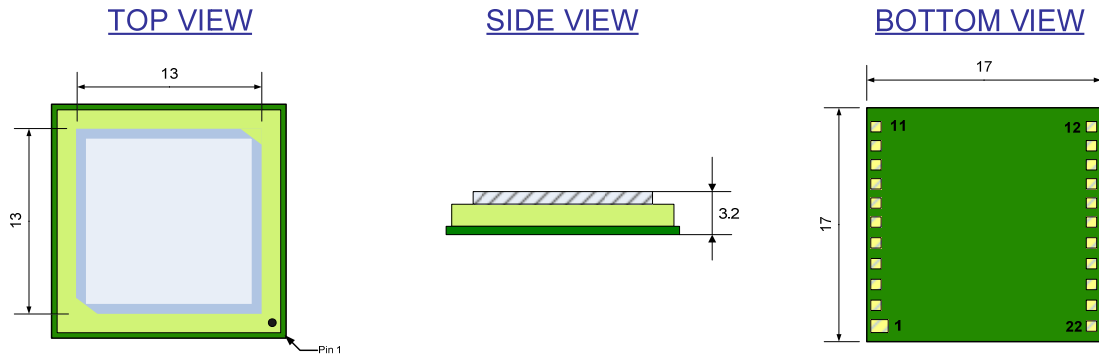
		ORG-1100	ORG-1115	ORG-1118
Ordering code		ORG-1100-xxx	ORG-1115-xxx	ORG-1118-xxx
Average C/N ₀ ¹		46 dBm/Hz	49 dBm/Hz	51 dBm/Hz
PCB outline ²		17mm x 17mm	17mm x 17mm	17mm x 17mm
Dimensions (max.)	Length	17 mm	17 mm	18.5 mm
	Width	17 mm	17 mm	18.5 mm
	Thickness	3.2 mm	4.8 mm	4.8 mm

Table 1: Antenna configuration

1. Averaging of 5 SV's with highest C/N₀ @ -130dBm, HDOP <1.5
2. Footprint and pinout are the same.

The ORG-1100 is low profile GPS Antenna Module.

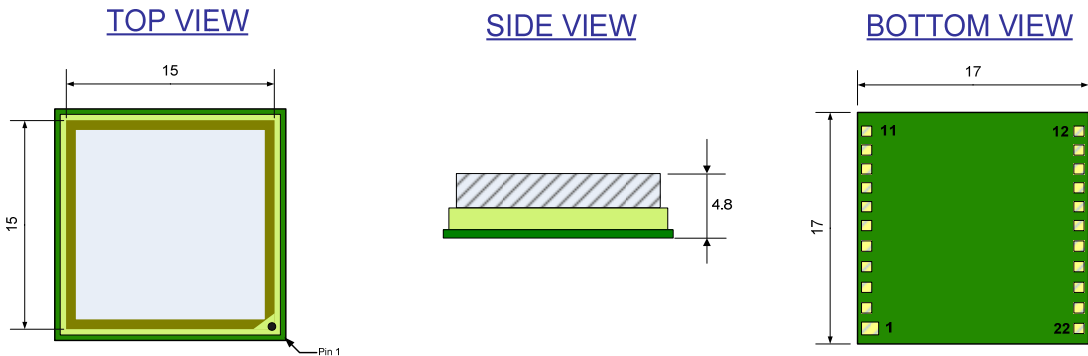
The ORG-1100 designed for applications with height limitation.



All dimensions are in millimeters

Figure 1: ORG-1100 Mechanical Outline Drawing

The ORG-1115 is standard version of the ORG-1100 GPS Antenna Module.



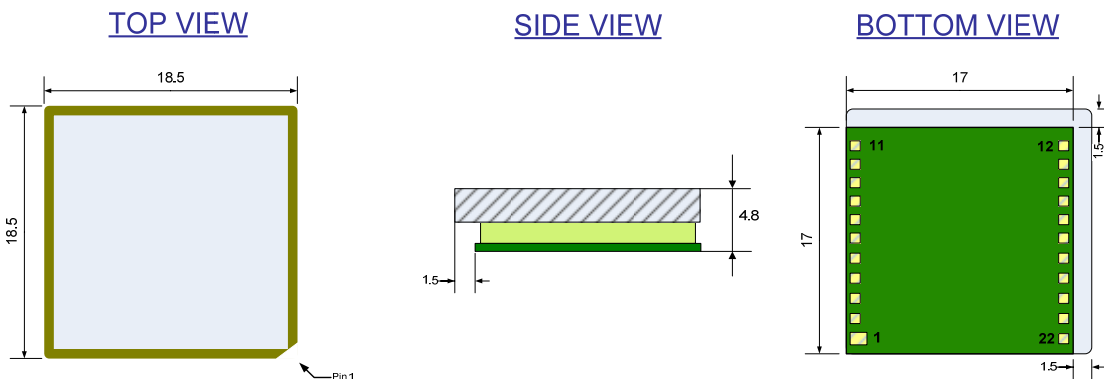
All dimensions are in millimeters

2: ORG-1115 Mechanical Outline Drawing

Figure

The ORG-1118 is accelerated sensitivity version of the ORG-1100 GPS Antenna Module.

The ORG-1118 designed for applications with screening or indirect satellite coverage.



All dimensions are in millimeters

Figure 3: ORG-1118 Mechanical Outline Drawing