



LSM110A

P/N: WSLSM110A00

DATA SHEET / REV0.6

SJI Co.,Ltd

54-33, Dongtanhana 1-gil, Hwaseong-si, Gyeonggi-do, South Korea

<http://www.seongji.co.kr>

Document Information

File name	DS_LSM110A_R06_230922.pdf
Created	2023-09-22
Total pages	24page

Revision History

Revision	Note
0.0	Preliminary.
0.1	Initial Release
0.2	F/W changed(1.0.0 -> 1.0.1)_System clock changed.
0.3	F/W changed(1.0.1 -> 1.0.2)_LoRa AS923-1 improve RX sens.
0.4	Laser-Marking Design Changed.
0.5	F/W changed(1.0.2 -> 1.0.3)_ LoRa AS923-1 BW command added.
0.6	QR-code info redefine.

Aim of this Document

The aim of this document is to give a detailed product description including interfaces, features and performance of the module LSM110A.

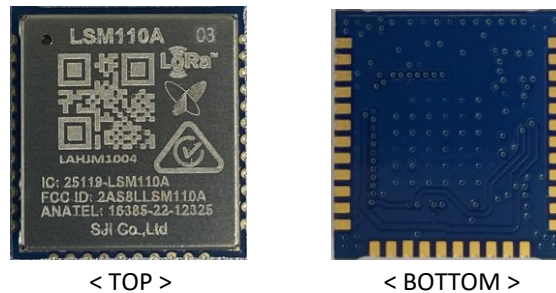
Table of Contents

1	Introduction	4
1.1	Key Features	4
1.2	Applications	4
2	Description.....	5
3	Electrical Characteristics.....	6
3.1	Absolute Maximum Ratings.....	6
3.2	General Electrical Characteristics	6
3.3	Module Interface Characteristics	7
3.4	RF Characteristics.....	7
3.4.1	Transmitter	7
3.4.2	Receive Sensitivity	8
3.4.3	Output Power vs. Setting Value.....	9
3.4.4	Output Power vs. Input Voltage(VDD) table	11
3.4.5	Output Power vs. Temp. table	12
4	Inspection	13
5	Module Package	14
5.1	Pinout Description	14
5.2	Module Dimensions.....	16
5.3	Recommended Footprint.....	16
5.4	Recommended PCB design guide.....	17
5.5	Reflow Profile of Module	18
6	Integration Guide	19
6.1	Typical Application Schematic.....	19
7	Laser Marking(Label)	20
8	Packing	22
9.	Notice.....	23

1 Introduction

The LSM110A is a compact, low power, bidirectional radio module for the LoRa™ & Sigfox modulation technology. The module provides ultra-long range spread spectrum communication and high interference immunity whilst minimizing current consumption.

This LSM110A is a highly-integrated, low power, bi-directional radio transceiver module optimized for use in the sub-1GHz ISM bands.



< TOP >

< BOTTOM >

Figure 1-1: Picture of LSM110A

1.1 Key Features

- Compact module 14 x 15 x 2.8mm. (Typ.)
- LoRa™ modulation technology.
- Sigfox modulation technology.
- Sensitivity down to -129dBm@LoRa(BW=500KHz, SF=12)
-124dBm@Sigfox(0.6Kbps)
- UART interface.
- Low-Power Long Range Transceiver operating in the sub-1GHz ISM band
- Supply voltage range from 1.8 to 3.6V.
- RF interface optimized to 50 Ω.
- Output Power, programmable up to +22dBm
- STM32WLE5CC

1.2 Applications

- Automated Meter Reading.
- Wireless Networks.
- Home-, Building- and Industrial Automation.
- Industrial Monitoring and Control
- Wireless Sensors.
- Wireless Alarm and Security Systems.

2 Description

The LSM110A is an ultra-long range, high-performance, pre-certified module for wireless communication. The module is solder-able like a SMD component and can easily be mounted on a simple carrier board with a minimum of required external connections.

This module supports LoRa™ & Sigfox, and can be converted to LoRa mode and Sigfox mode with commands.

It includes all necessary passive components for wireless communication as depicted in the following figure.

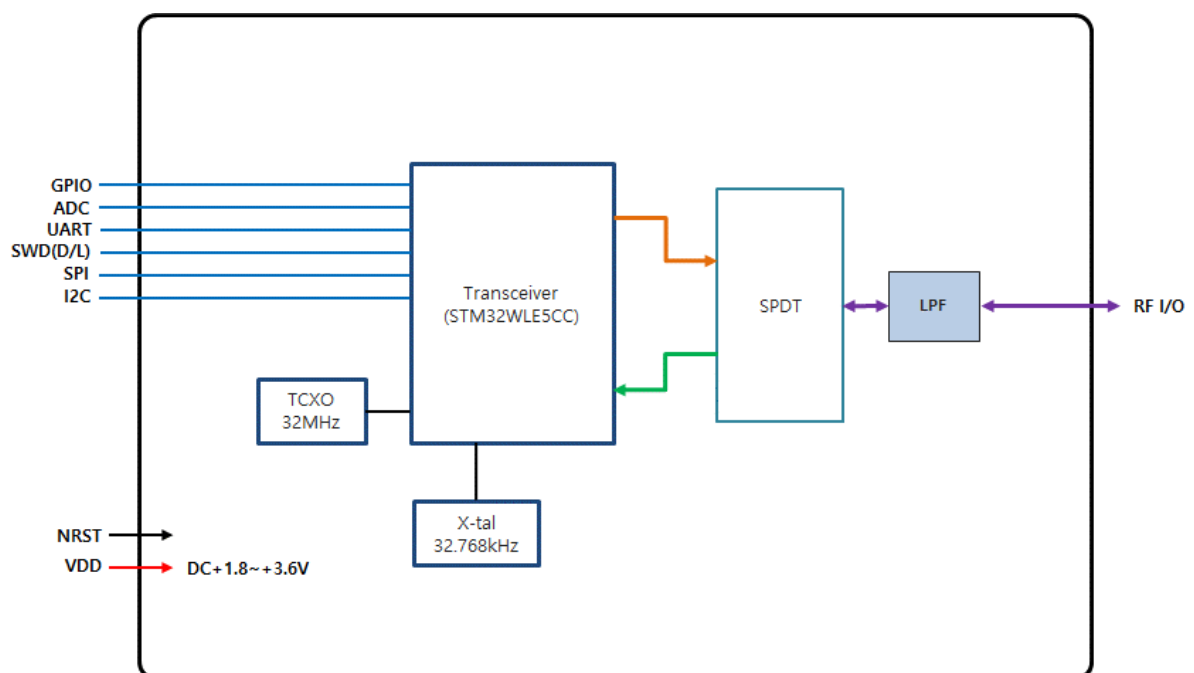


Figure 2-1: Block Diagram

3 Electrical Characteristics

In the following different electrical characteristics of the LSM110A are listed.

- Note: Stress exceeding of one or more of the limiting values listed under “Absolute Maximum Ratings” may cause permanent damage to the radio module

3.1 Absolute Maximum Ratings

Parameter	Condition	Min	Typ.	Max	Unit
Supply Voltage (VDD)		0	3.3	3.9	V
Storage Temperature		-40	-	+85	°C
Operating Temperature		-30	-	+85	°C
RF Input Power				+0	dBm
ESD		-2		+2	kV

Notes:
1) Unless otherwise noted, all voltages are with respect to GND

Table 3-1-1: Absolute Maximum Ratings

3.2 General Electrical Characteristics

T = 25°C, VDD = 3.3 V (typ.) if nothing else stated

Parameter	Condition	Min	Typ.	Max	Unit
Supply Voltage (VDD)	Note 1	1.8	3.3	3.6	V
Current Consumption	Sleep(stop2)		1.8	5	uA
	Receive		5		mA
	Transmit (RF power +21dBm)		123		mA
Operation Clock Frequency	Transceiver		32		MHz
	MCU RTC		32.768		kHz

Notes:
1) Unless otherwise noted, all voltages are with respect to GND

Table 3-2-1: General Characteristics

3.3 Module Interface Characteristics

Symbol	Parameter	Condition	Min	Typ	Max	Unit
VIL	I/O input low-level voltage	1.8V < VDD < 3.6V			0.3xVDD	V
VIH	I/O input High-level voltage		0.7xVDD			V
Vhys	input hysteresis			200		mV
BR	UART baud rate			9.6		kbps

Table 3-3-1: Module Interface Characteristics

3.4 RF Characteristics

3.4.1 Transmitter

<LoRa>

* T = 25°C, VDD = 3.3 V (typ.), if nothing else stated

Parameter	Condition	Min	Typ.	Max	Unit
Frequency Range ⁽¹⁾	US	902	-	928	MHz
	AU	915	-	928	MHz
	AS1	920.5	-	923.5	MHz
RF Output Power			21		dBm
Modulation Techniques	LoRa™				
TX Frequency Tolerance	25°C	-2.5	-	2.5	ppm
Note(1): Frequency range(MHz) - US902-928 - AU915-928 - AS923-1					

Table 3-4-1-1: LoRa Transmitter Spec.

<Sigfox>

* T = 25°C, VDD = 3.3 V (typ.), if nothing else stated

Parameter	Condition	Min	Typ.	Max	Unit
Frequency Range ⁽¹⁾	RC2	902.104	902.2	902.296	MHz
	RC4	920.704	920.8	920.896	MHz
RF Output Power			21		dBm
Modulation Techniques	Sigfox				
TX Frequency Tolerance	25°C	-2.5	-	2.5	ppm
Note(1): Frequency range(MHz) - RC2 902.2 +/-0.096 - RC4 920.8 +/-0.096					

Table 3-4-1-2: Sigfox Transmitter Spec.

3.4.2 Receive Sensitivity

<LoRa>

* T = 25°C, VDD = 3.3 V (typ.), if nothing else stated

Item	125KHz		250KHz		500KHz		Unit
	902.3MHz	923.3MHz	902.3MHz	923.3MHz	902.3MHz	923.3MHz	
SF7	-125	-125	-122	-121	-118	-118	dBm
SF8	-127	-127	-125	-125	-120	-120	dBm
SF9	-131	-131	-128	-127	-123	-123	dBm
SF10	-133	-133	-130	-131	-126	-126	dBm
SF11	-135	-135	-132	-133	-128	-127	dBm
SF12	-138	-137	-135	-135	-130	-129	dBm

Table 3-4-2-1: LoRa Receive Sensitivity

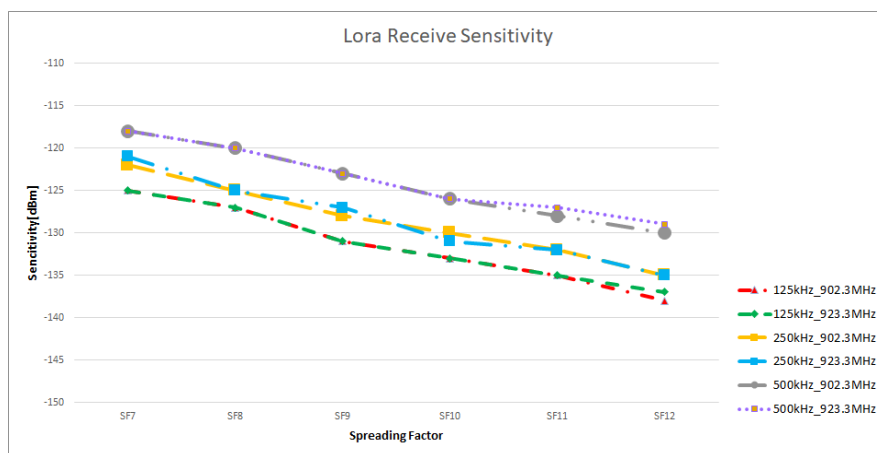


Figure 3-4-2-1: LoRa Receive Sensitivity Graph

<Sigfox>

* T = 25°C, VDD = 3.3 V (typ.), if nothing else stated

Item	Frequency(MHz)	Sensitivity(0.6Kbps)	Unit
RC2	905.2	-124.5	dBm
RC4	922.3	-124	dBm

Table 3-4-2-2: Sigfox Receive Sensitivity

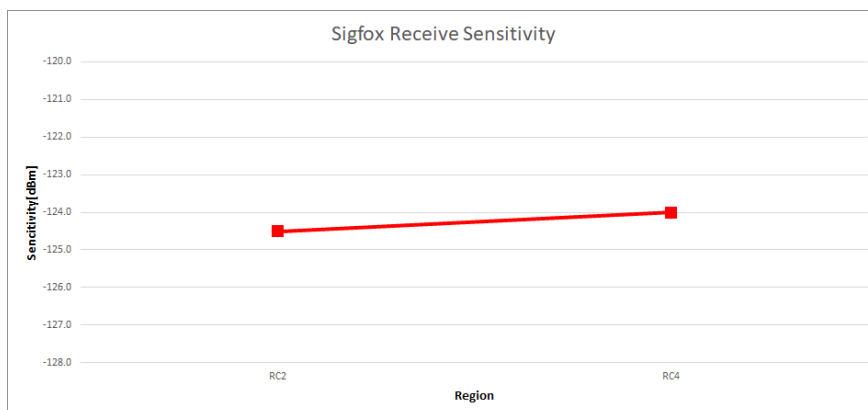


Figure 3-4-2-2: Sigfox Receive Sensitivity Graph

3.4.3 Output Power vs. Setting Value

<LoRa>

Setting Value ⁽¹⁾	Output Power (Typ.) / dBm			
	902.3MHz	908.9MHz	915.2MHz	927.8MHz
15	14.2	14.1	14	13.9
16	15.2	15.1	15	14.9
17	16.3	16.2	16.1	16.0
18	17.5	17.5	17.4	17.2
19	18.6	18.6	18.4	18.2
20	19.7	19.6	19.5	19.4
21	20.7	20.7	20.6	20.4
22	21.3	21.3	21.2	21.1

Note(1): Available setting Value(0~22)

Table 3-4-3-1: LoRa Output Power vs. Setting Value

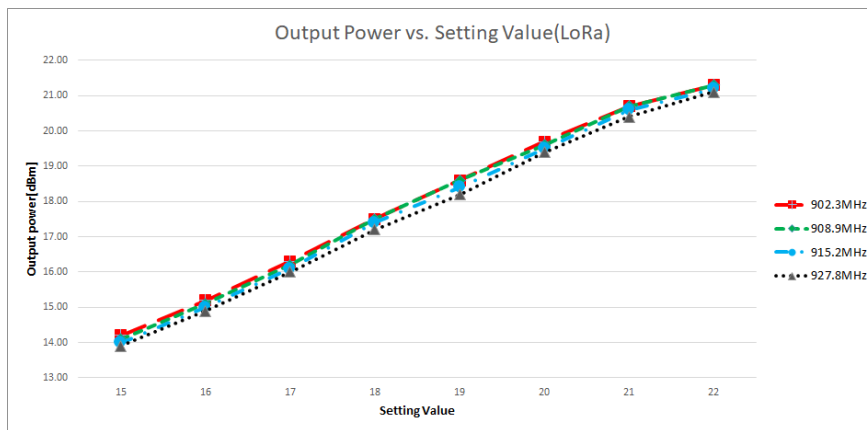


Figure 3-4-3-1: LoRa Output Power vs. Setting Value Graph

<Sigfox>

Setting Value ⁽¹⁾	Output Power (Typ.) / dBm	
	902.2MHz	920.8MHz
15	14.2	14.1
16	15.2	15.0
17	16.3	16.1
18	17.5	17.3
19	18.6	18.4
20	19.7	19.5
21	20.8	20.6
22	21.3	21.2

Note(1): Available setting Value(0~22)

Table 3-4-3-2: Sigfox Output Power vs. Setting Value

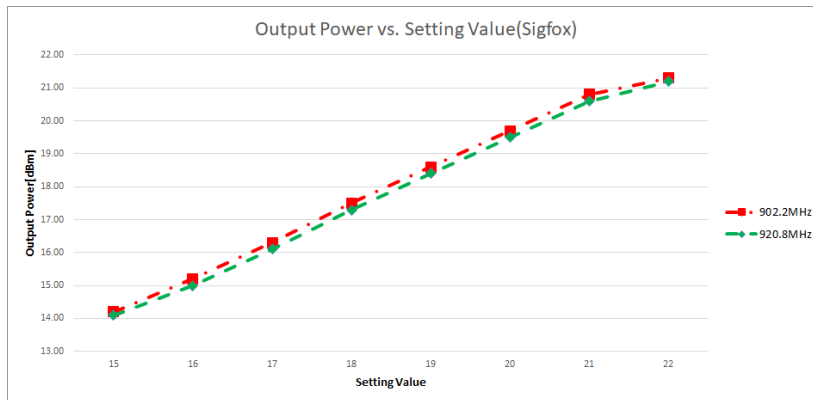


Figure 3-4-2: Sigfox Output Power vs. Setting Value Graph

3.4.4 Output Power vs. Input Voltage(VDD) table

<LoRa>

Input Voltage(VDD)	Output Power (Typ.) / dBm			
	902.3MHz	908.9MHz	915.2MHz	927.8MHz
1.8	16.5	16.4	16.3	16.1
2.0	17.3	17.3	17.2	17.1
2.3	18.6	18.5	18.4	18.2
2.5	19.2	19.1	19.0	18.9
3.0	20.5	20.4	20.4	20.2
3.3	21.3	21.3	21.2	21.1
3.6	21.7	21.7	21.6	21.5

Note:

Table 3-4-4-1: LoRa Output Power vs. Input Voltage

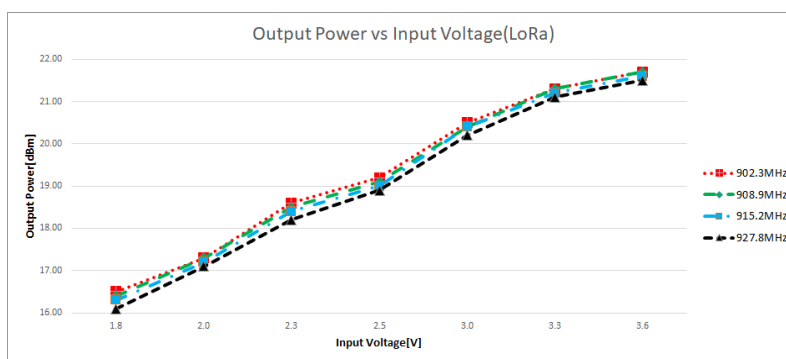


Figure 3-4-4-1: LoRa Output Power vs. Input Voltage Graph

<Sigfox>

Input Voltage(VDD)	Output Power (Typ.) / dBm	
	902.2MHz	920.8MHz
1.8	16.4	16.2
2.0	17.4	17.2
2.3	18.6	18.4
2.5	19.2	19.1
3.0	20.5	20.4
3.3	21.3	21.2
3.6	21.8	21.6

Note:

Table 3-4-4-2: Sigfox Output Power vs. Input Voltage

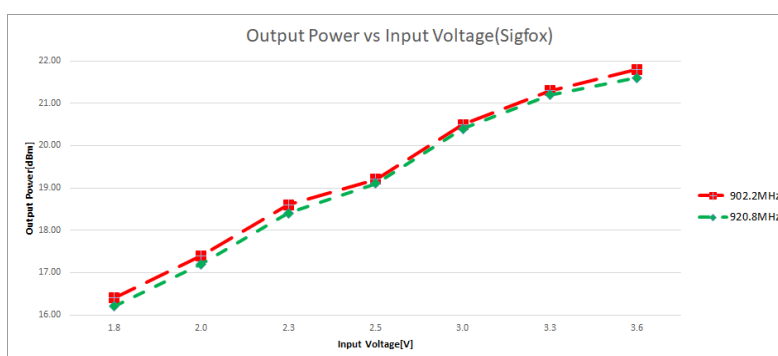


Figure 3-4-4-2: Sigfox Output Power vs. Input Voltage Graph

3.4.5 Output Power vs. Temp. table

<LoRa>

Temp. / °C	Output Power (Typ.) / dBm			
	902.3MHz	908.9MHz	915.2MHz	927.8MHz
-30	21.7	21.7	21.6	21.6
25	21.3	21.3	21.2	21.1
85	20.5	20.4	20.4	20.3

Note:

Table 3-4-5-1: LoRa Output Power vs. Temp.

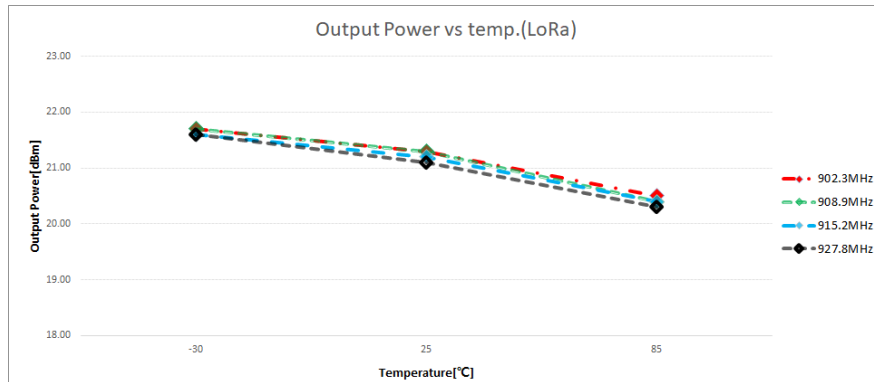


Figure 3-4-5-1: LoRa Output Power vs. Temp. Graph

<Sigfox>

Temp./ °C	Output Power (Typ.) / dBm	
	902.2MHz	920.8MHz
-30	21.7	21.6
25	21.3	21.2
85	20.5	20.4

Note:

Table 3-4-5-2: Sigfox Output Power vs. Temp.

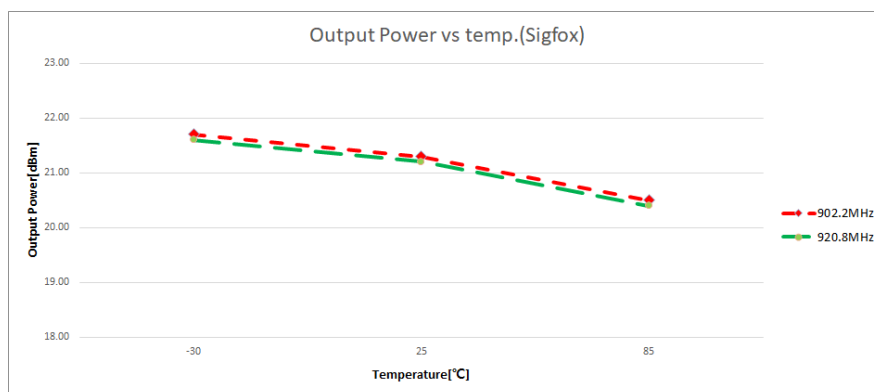


Figure 3-4-5-2: Sigfox Output Power vs. Temp. Graph

4 Inspection

<LoRa>

Parameter	Condition	Min	Typ.	Max	Unit
RF Output Power	902.3MHz	19	-	23	dBm
	928MHz	19	-	23	dBm
TX Frequency Tolerance	25°C	-2.5	-	2.5	ppm
Receive Sensitivity	<10%(SF7/125KHz)	-	-	-123	dBm

<Sigfox>

Parameter	Condition	Min	Typ.	Max	Unit
RF Output Power	902.2MHz	19	-	23	dBm
	920.8MHz	19	-	23	dBm
TX Frequency Tolerance	25°C	-2.5	-	2.5	ppm
Receive Sensitivity	<10%	-	-	-123	dBm

5 Module Package

In the following the LSM110A module package is described. This description includes the LSM110A pinout as well as the modules dimensions. Furthermore a recommendation for a suitable footprint is given, which should be used for further mounting on appropriate carrier boards.

5.1 Pinout Description

Figure 5-1-1 depicts a description of the LSM110A's pads on the Module side. The figure shows the module with its pinout in top view (right figure). A detailed description of the individual pins can be found in Table 5-1-1: Pinout Table.

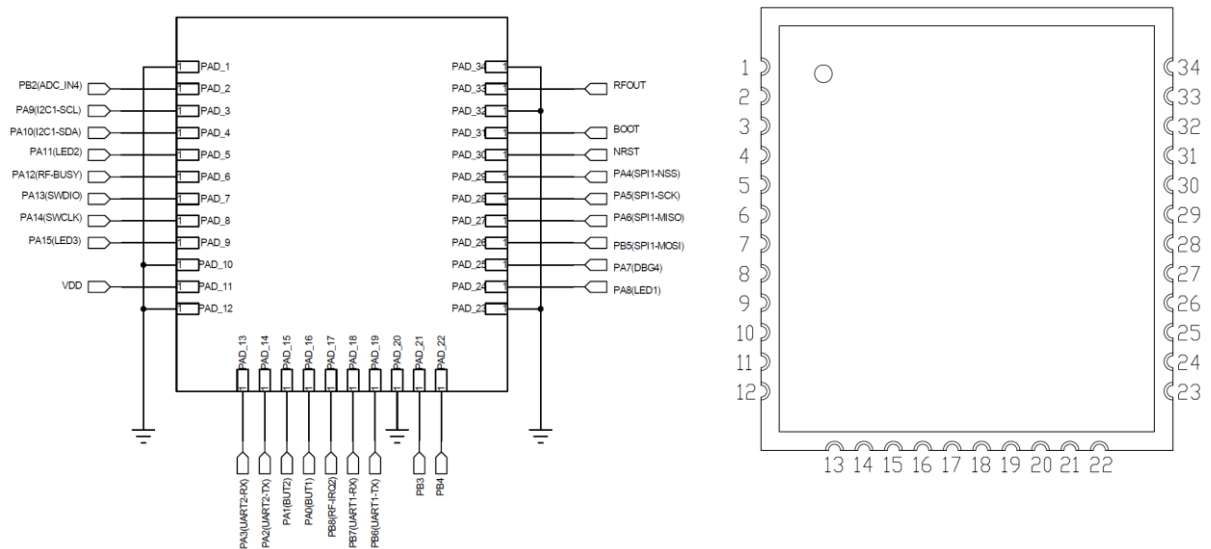


Figure 5-1-1: Description of module pins and top view

PIN	PIN Name	PIN Type	MCU Pin	Description
1	GND			Ground
2	PB2	I/O	PB2	General purpose IO, selectable ADC functionality
3	PA9	I/O	PA9	General purpose IO, selectable I2C(SCL) functionality
4	PA10	I/O	PA10	General purpose IO, selectable I2C(SDA) functionality
5	PA11	I/O	PA11	General purpose IO, selectable I2C2(SDA) functionality
6	PA12	I/O	PA12	General purpose IO, selectable I2C2(SCL) functionality
7	PA13	I/O	PA13	Serial-Wire Debug Data(FW Down-load)

8	PA14	I/O	PA14	Serial-Wire Debug Clock(FW Down-load)
9	PA15	I/O	PA15	General purpose IO
10	GND			Ground
11	VDD	P		Power Supply(+1.8V ~ +3.6V)
12	GND			Ground
13	PA3	I/O	PA3	USART2 RX Data
14	PA2	I/O	PA2	USART2 TX Data
15	PA1	I	PA1	Wake-up, General purpose IO
16	PA0	I/O	PA0	General purpose IO
17	PB8	I/O	PB8	General purpose IO
18	PB7	I/O	PB7	USART1 RX Data
19	PB6	I/O	PB6	USART1 TX Data
20	GND			Ground
21	PB3	I/O	PB3	General purpose IO
22	PB4	I/O	PB4	General purpose IO
23	GND		G	Ground
24	PA8	I/O	PA8	General purpose IO
25	PA7	I/O	PA7	General purpose IO
26	PB5	I/O	PB5	General purpose IO, selectable SPI1 MOSI functionality
27	PA6	I/O	PA6	General purpose IO, selectable SPI1 MISO functionality
28	PA5	I/O	PA5	General purpose IO, selectable SPI1 SCK functionality
29	PA4	I/O	PA4	General purpose IO, selectable SPI1 NSS functionality
30	NRST	I/O	NRST	IC Reset
31	BOOT	I/O	BOOT0	IC BOOT0(Internal pull-down 10Kohm resistor)
32	GND			Ground
33	RFOUT	A		RF input/output
34	GND			Ground

Table 5-1-1: Pinout Table

5.2 Module Dimensions

The outer dimensions of the LSM110A are given by Figure 5-2-1.

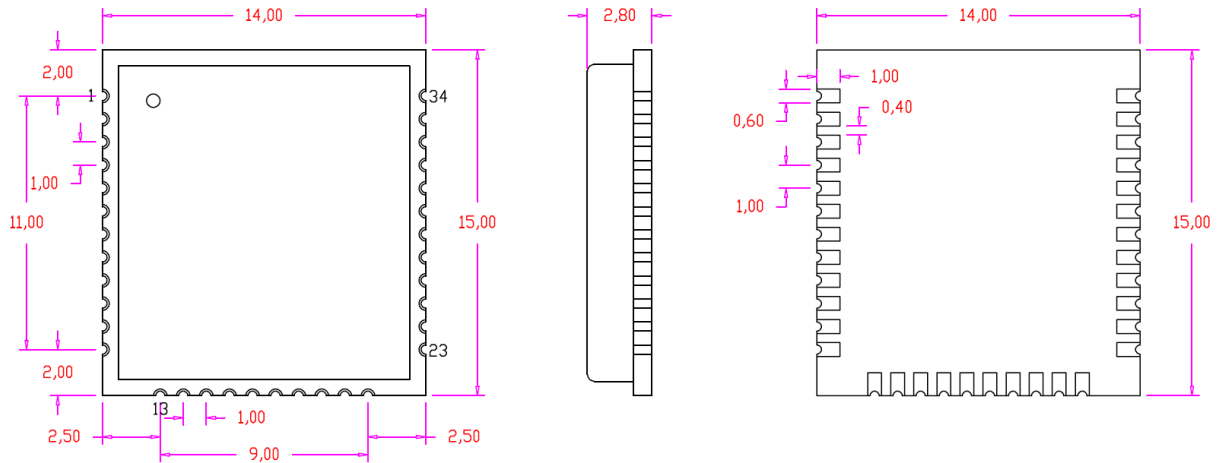


Figure 5-2-1: Outer Dimensions

5.3 Recommended Footprint

According to Chapter 5.2, a recommendation for the footprint of the LSM110A is given by Figure 5-3-1.

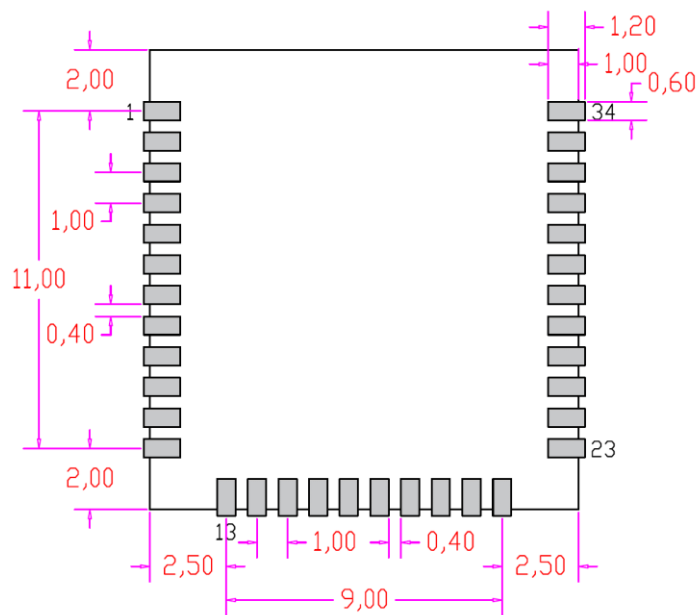


Figure 5-3-1: Recommended footprint (top view)

5.4 Recommended PCB design guide

To protect a contact short or electrical shock when LSM110A module is mounted on customer's board, we recommend PSR ink-coating of top side at module mount area on customer's board as Figure 5-4-1.

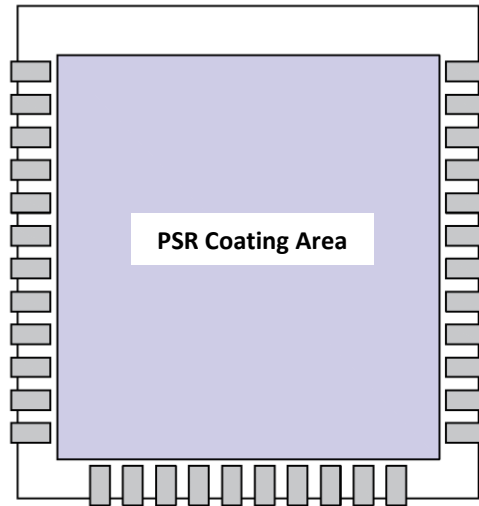
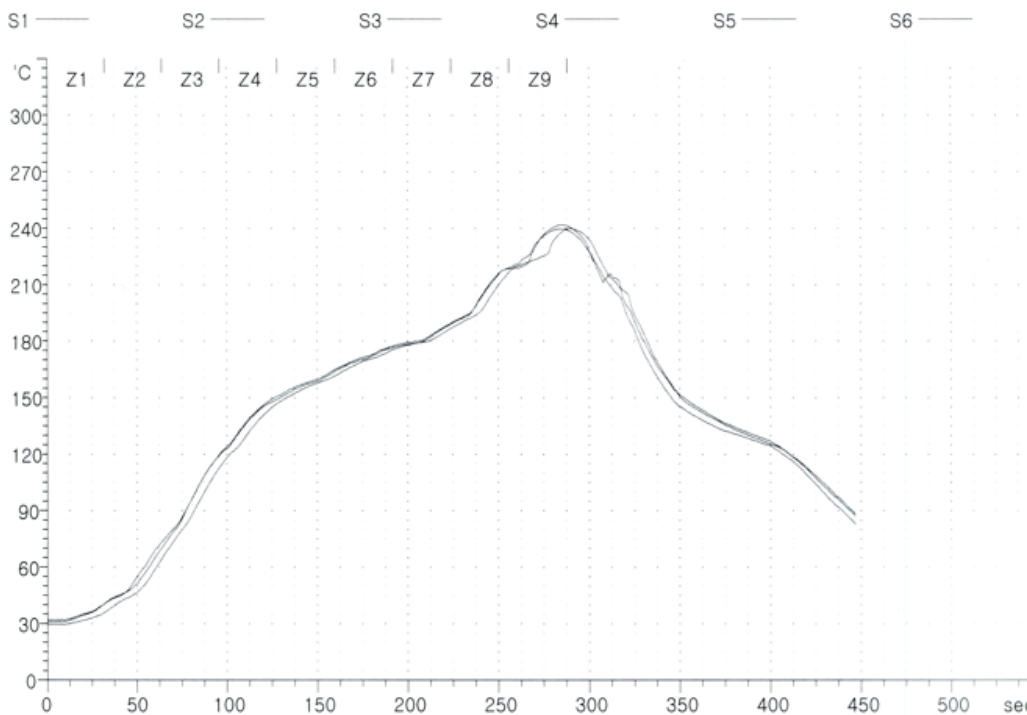


Figure 5-4-1: PSR ink Coating of mount board

5.5 Reflow Profile of Module

Temperature Profile

Checked at 2022-02-22 19:33:59		Job No: LSM100A		Batch No: C-LINE									
Customer: 성지산업		Battery Voltage: 4.12 V (OK)		Solder Type: H/F									
Internal Temp: 59.5 °C (OK)		Sample Time: 0.5 sec		Total Samples: 4000									
Channels: S1 S2 S3 S4 S5 S6													
Zone Setting Temperature													
	Z1	Z2	Z3	Z4	Z5	Z6	Z7	Z8	Z9				
Upper	150	160	170	180	190	200	220	250	285				
Lower	150	160	170	180	190	200	220	250	285				
Length	400	400	400	400	400	400	400	400	400				
Machine No :													
Line Speed : 0.75 m/min													
Line Length : 3600 mm													
Temperature Analysis & Temperature Zone													
	Max°C	at-sec	ov-220	T1-s	T2-s	T3-s	T4-s	T5-s	T1-°C/s	T2-°C/s	T3-°C/s	T4-°C/s	T5-°C/s
S1	241.7	285.5	45.5	56.0	83.5	66.5	45.5	0.0	+1.1	+0.7	+0.5	+0.2	+0.0
S2	0.0	0.0	0.0	0.0	0.0	0.0	0.0	0.0	+0.0	+0.0	+0.0	+0.0	+0.0
S3	239.6	283.0	40.5	56.5	84.5	65.0	40.5	0.0	+1.1	+0.7	+0.5	+0.2	+0.0
S4	0.0	0.0	0.0	0.0	0.0	0.0	0.0	0.0	+0.0	+0.0	+0.0	+0.0	+0.0
S5	0.0	0.0	0.0	0.0	0.0	0.0	0.0	0.0	+0.0	+0.0	+0.0	+0.0	+0.0
S6	239.9	290.0	47.0	54.5	84.5	65.0	47.0	0.0	+1.2	+0.7	+0.5	+0.2	+0.0
T1: 50 ~ 100 °C T2: 100 ~ 170 °C T3: 170 ~ 200 °C T4: 220 ~ °C T5: 0 ~ 0 °C													



SEILIECO

SMP-306

Printed at 2022-02-22 19:34:09

SPEC	Pre-heat	Soak	Ramp	PEAK
	50~100°C	100~170°C	220°C 이상	240°C
	1~2°C/sec	60~100 sec	30~50 sec	±5°C
Result	1.13	84	44.3	239.4
	OK	OK	OK	OK

6 Integration Guide

The LSM110A provides 34 connectors as described in Chapter 6. For integrating the LSM110A into an environment, a typically circuit as given in Chapter 6.1 can be used.

6.1 Typical Application Schematic

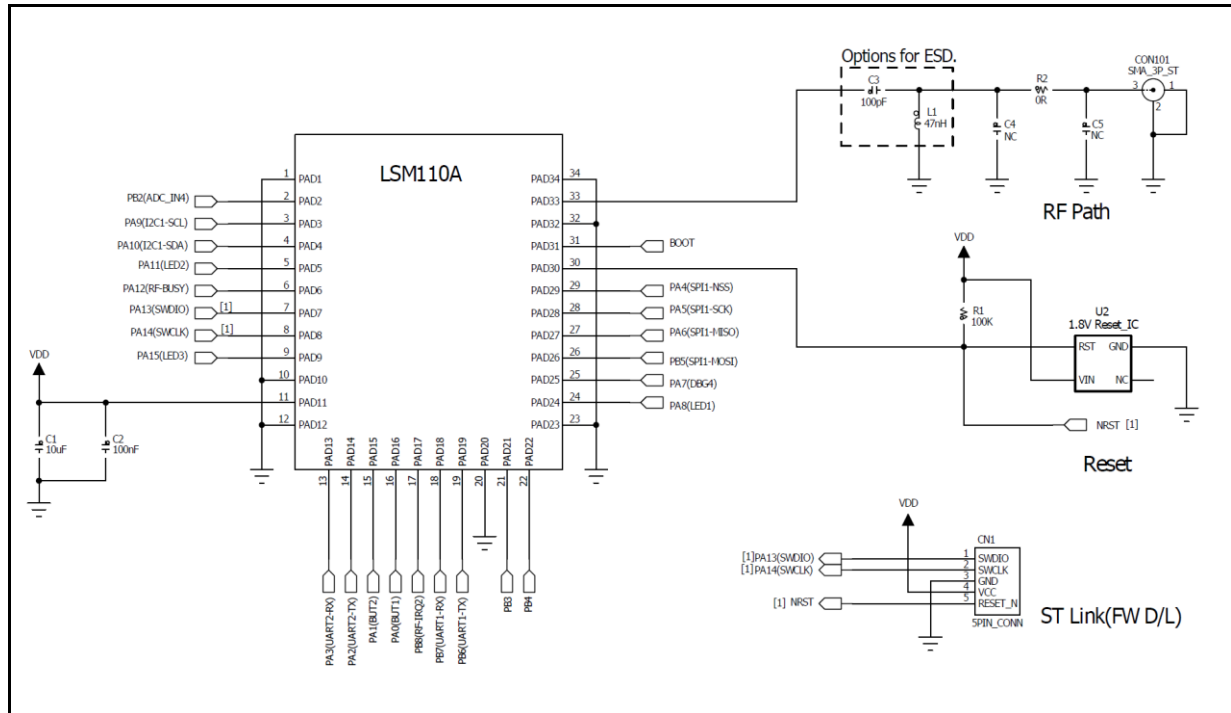


Figure 6-1-1: Typical Application Schematic

7 Laser Marking(Label)



LSM110A Regulatory Certification



LoRa™	US902-928 Certified AU915-928 Certified AS923-1 Certified LoRaWAN Specification Version: V1.0.4 LoRaWAN Regional Parameters Version: RP002-V1.0.1
Sigfox Verified™	RC2/ RC4 Certified(M_008B_3FA8_01)
FCC	2AS8LLSM110A
IC	25119-LSM110A
RCM	POC22342
ANATEL	16385-22-12325

“This Module may cause radio interference while in use and may cause harmful interference from other devices”

LSM110A Lot, No(9digits) Information

CAHIR1101

Digits	Lot, No info	Description
1	Model App. Type	C : LoRa+Sigfox
2	Manufacture Area	A: Korea, C: Vietnam
3	Product Year	2021: H, 2022: I, 2023: J ...
4	Product Month	Jan: A, Feb:B ... Oct: J, Nov: K, Dec: L
5	Product Day	1, 2, 3 ... A, B, C ... T, U, V
6~7	Model Initial Number	11: LSM110A
8~9	Lot Serial Number	00, 01, 02 ... (1Lot serial: 1box)

LSM110A QR-code(18digits) Information



Digits	QR code info	Description
1~4	Model code	110A: LSM110A
5	Assembly site	X: Korea, W: Vietnam
6	Product Year	2021: G, 2022: H, 2023: J ...(except "I","O")
7	Product Month	Jan: 1, Feb:2 ... Oct: A, Nov: B, Dec: C
8	Product Day	1, 2, 3 ... A, B, C ... V, W, X(except "I","O")
9~11	HW version	V0.1: R01 V0.2:R02 ...
12	Default	0
13	Default	0
14~17	Serial Number	4digits
18	Customer	Default: G

8 Packing

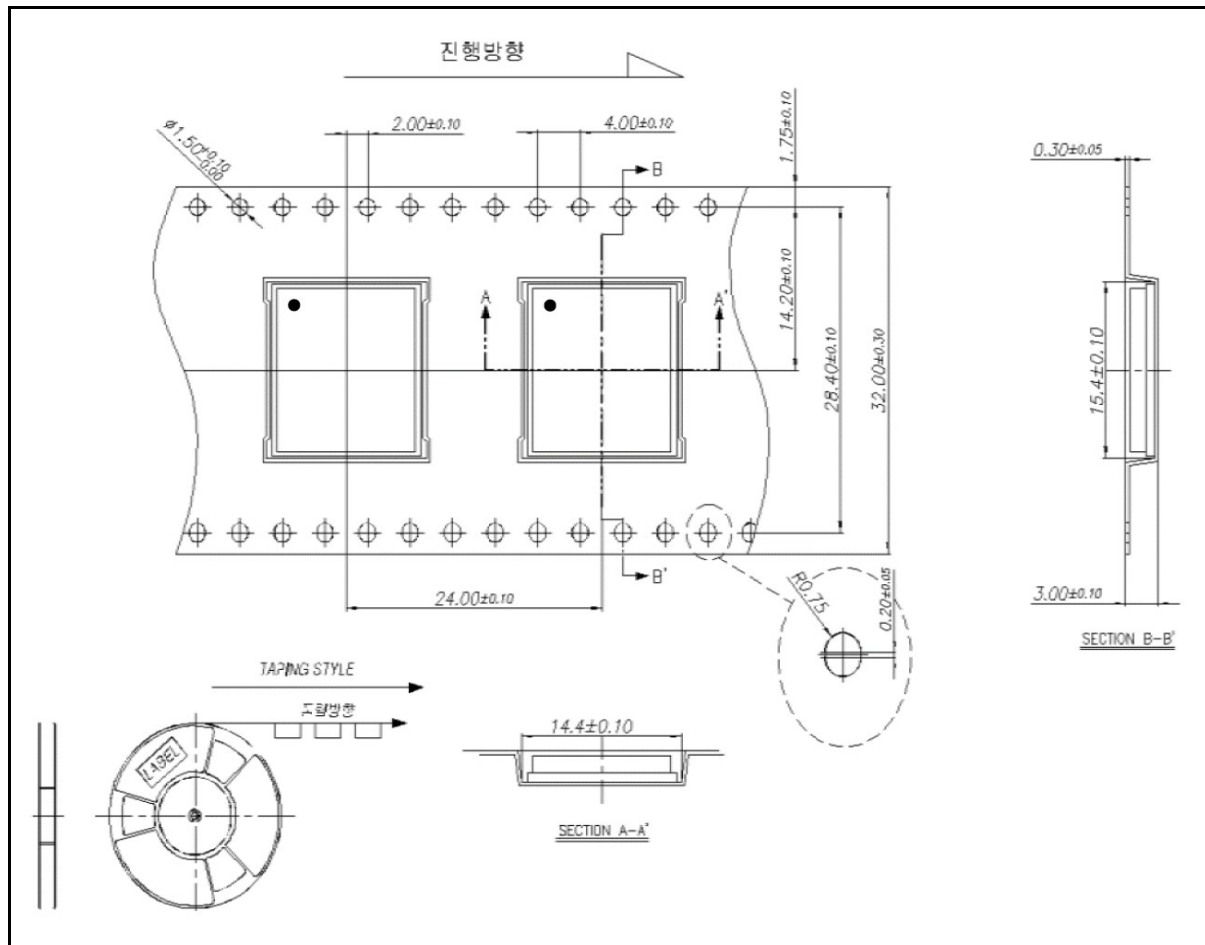


Figure 8-1: Reel packing

* Reel Bobbin size: 330x80x32mm(13" Reel)

* Packing Q'ty: 500ea

9. Notice

Information contained in this publication regarding device applications and the like is provided only for your convenience and may be superseded by updates. It is your responsibility to ensure that your application meets with your specifications.

SJI MAKES NO REPRESENTATIONS OR WARRANTIES OF ANY KIND WHETHER EXPRESS OR IMPLIED, WRITTEN OR ORAL, STATUTORY OR OTHERWISE, RELATED TO THE INFORMATION, INCLUDING BUT NOT LIMITED TO ITS CONDITION, QUALITY, PERFORMANCE, MERCHANTABILITY OR FITNESS FOR PURPOSE.

SJI disclaims all liability arising from this information and its use. Use of SJI devices in life support and/or safety applications is entirely at the buyer's risk, and the buyer agrees to defend, indemnify and hold harmless SJI from any and all damages, claims, suits, or expenses resulting from such use. No licenses are conveyed, implicitly or otherwise, under any SJI intellectual property rights unless otherwise stated.

책임의 한계: 장치 및 응용 프로그램등과 관련하여 본 문서 및 관련 문서에 포함된 정보는 사용자의 편의를 위해서만 제공되며 업데이트로 대체 될 수 있습니다. 본 문서 및 관련 문서에 포함된 정보가 사용자의 제품 규격에 부합하는지 확인하는 것은 귀하의 책임입니다.

(주)에스제이아이 또는 그 딜러는 손해 가능성에 대한 사전 인지 여부와 관계없이 본 계약에 따라 제공되는 정보와 장비, 부품 또는 서비스의 사용으로 발생할 수 있는 직접, 간접, 부수, 특별 또는 결과적 손해나 기대 이익의 손실 등 어떠한 다른 손해에 대하여 책임을 지지 않습니다.

장치 및 응용프로그램을 생명 유지 및 안전 용도로 사용하는 것은 전적으로 구매자의 위험 부담이며 구매자는 그러한 행위로 인하여 발생하는 일체의 손해, 청구, 소송 또는 경비로부터 (주)에스제이아이를 보호하고 면책하며, 면제 할 것에 동의합니다. 수정된 정보 및 Firmware는 (주)에스제이아이 기술지원 사이트에 게시를 하며, 개별적으로 통보하지 않습니다.

ESD Warning



This modules are ESD sensitive devices, appropriate precautions should be taken during the module assembly in the final product. Mechanical impact and harsh tools must be avoided during the module assembly in the final product.

Product ESD specification:

- HBM $\pm 2\text{kV}$

The following precautions must be taken:

- Do not open the protective conductive packaging until you have use the following, and are at an approved anti-static work station.
- Use a conductive wrist strap attached to a good earth ground.
- If working on a prototyping board, use a soldering iron or station that is marked as ESD-safe.
- If possible, use SMT equipment(reflow) when making prototype boards.
- Use an approved anti-static mat to cover your work surface.
- Always discharge yourself by touching a grounded bare metal surface or approved anti-static mat before picking up an ESD - sensitive electronic component.